

THYRISTOR SWITCHING MODULE (TSM) For Capacitor Switching

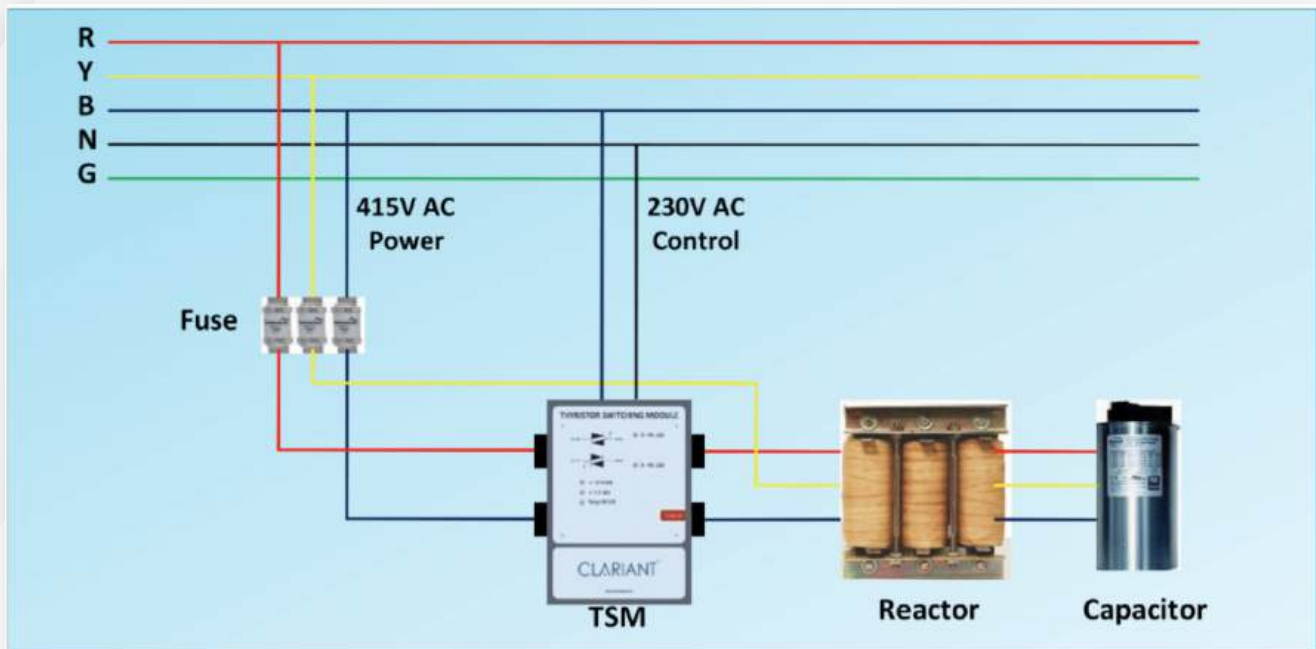


More Power by
Saving Energy

It's all about saving your money!

Salient Features and Benefits

- 👍 Inrush current protected
- 👍 Unlimited number of switching operations with defined delay as per applicable.
- 👍 Compact Module, easy for connections.
- 👍 No transients due to zero switching technology.
- 👍 Long operation life.
- 👍 Automatic thermal cut off.
- 👍 No noise emission during switching operations.
- 👍 User friendly operation.
- 👍 Zero voltage switching 'ON' and Zero Current switching 'OFF'.



Circuit Diagram

General

- Detuned/Tuned Series Reactor is recommended in series with capacitor for thyristor module switching.
- Use Semi conductor or Fast acting HRC fuses at input side.

Technical Parameters

System Operating Voltage	380V to 660V AC available.
Frequency	50Hz/60Hz
Stage KVAR	Available from 5KVAR and 200KVAR.
Control Supply	12V or 24V DC.
LED Indication	Thyristor ON (R ph ON, B ph ON), +12V LED, +5V LED, Temp OK LED.
Mounting Position	Vertical, minimum 100mm distance upwards and downwards.
Assembling	Direct mounting on mounting plate.
Cooling	Forced cooling
Protection	Over temperature, dv/dt protection

Applications

Real Time (Dynamic) Power Factor Correction for

- Press loads
- Welding machines
- Cranes and Elevators
- Rolling Mills
- Wind turbines etc.

Clariant Power System Limited

In collaboration with Frako-Germany



Corporate Off. : Clariant House, 799/A, Bhandarkar Road, Pune - 411004

✉ sales@clariantindia.co.in 🌐 www.clariantindia.co.in

🌐 Clariant Power System Limited

📞 +91 20 67332999 | +91 89757 53242 | +91 95525 65275 | +91 77199 96868 | +91 9130057668

📱 @Clariantpower

PAN India Branch Offices / Service Centers

- North - Delhi | Chandigarh • South - Chennai | Hyderabad | Bangalore | Coimbatore
- East - Kolkata West - Mumbai | Nagpur | Raipur | Ahmedabad | Kolhapur | Goa | Indore
- Overseas - USA | Australia | UAE | Oman | Saudi Arabia | Bahrain | Kuwait | Qatar | Bangladesh